



FAST, SAFE AND CONVENIENT DISPENSING OF LIQUIDS.

- Superior quality materials and state-of-the-art manufacturing techniques with proven reliable design features.
- **PUMP TUBES**
 - Pump available in polypropylene, PPP high temperature polypro, CPVC, pure PVDF, 316 stainless steel or aluminum.
 - Lengths of 27", 39", 47", 60" and 72".
 - Seal-less, one-piece outer tube with screw-on "foot". No weak spin welds or glued components.
 - Easy on-site service. No special tools required.
- **MOTORS**
 - Heavy duty 1.1 HP electric motors (open or TEFC) with variable speed control for precise delivery without splashback.
 - Explosion-proof and air driven motors

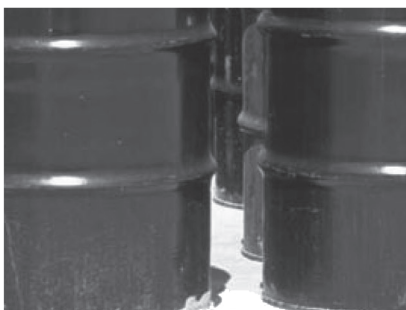
SERIES 'DP' Drum Pumps combine modern manufacturing techniques with proven and reliable design features. They are a convenient and efficient means of transferring and dispensing most liquid chemicals from drums, carboys and tanks.

These pumps are available in a selection of engineered plastics or metal construction thus providing a great range of chemical compatibility.

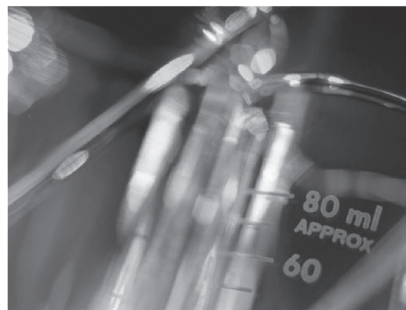
The pumps are available in lengths to meet your requirements and all pumps can be used interchangeably with any of our electric or air motors. They can

be quickly changed to meet particular pumping or motor requirements.

Simply insert the pump into the liquid for immediate pumping. No priming is necessary since the rotor is located at the bottom end of the pump. Flow may be controlled with the unique speed control knob on the ODP-S and ENC-S motors to prevent splashing and control the volume. Keep these handy pumps on location throughout your plant for convenient solution transfer.



DRUMS & BARRELS



LABORATORY



LARGE STORAGE VESSELS



Pump Package 1 | Water Treatment Chemicals

Engineered to transfer corrosive chemicals associated with the Water Treatment industry. Common applications include: Sodium Hypochlorite, Potassium Hydroxide and Sodium Bromide.

Motor type: ODP-S
 Pump Assembly: CPVC
 Pump Length: 39" (1000 mm) or 47" (1200 mm)
 Hose: 6 ft. (1.8 m), I.D. 1" (25 mm) PVC
 Dispensing Nozzle: 1" (25 mm), Polypropylene
 Barrel Adapter: Polypropylene
 Storage Bracket: Steel
 Max. flow rate: 15 GPM (57 LPM) based on water)
 Max. pressure: 35 ft. (10.6 m)
 Max viscosity: 1500 cps (mPas)
 Max. temperature: 190°F (88°C)

PRICE CODE NO.	VOLTAGE	LENGTH
52-9430	115V	39"
52-9431	240V	
52-9432	115V	47"
52-9433	240V	



Pump Package 2 | Acids & Alkalis

Engineered to transfer corrosive liquids. Common applications include: Hydrochloric Acid, Nitric Acid (20%), Acetic Acid and Sulfuric Acid.

Motor type: ODP-S
 Pump Assembly: Polypropylene
 Pump Length: 39" (1000 mm) or 47" (1200 mm)
 Hose: 6 ft. (1.8 m), I.D. 1" (25 mm) PVC
 Dispensing Nozzle: 1" (25 mm), Polypropylene
 Barrel Adapter: Polypropylene
 Storage Bracket: Steel
 Max. flow rate: 15 GPM (57 LPM) based on water)
 Max. pressure: 35 ft. (10.6 m)
 Max viscosity: 1500 cps (mPas)
 Max. temperature: 130°F (55°C)

PRICE CODE NO.	VOLTAGE	LENGTH
52-9400	115V	39"
52-9401	240V	
52-9402	115V	47"
52-9403	240V	



Pump Package 3 | Concentrated Acids & Alkalis

Engineered to transfer very concentrated and extremely aggressive liquids. Common applications include: Sulfuric Acid 66 Baumè, Propionic Acid, Concentrated Nitric (98%) and Hydrofluoric Acid.

Motor type: ENC-S
 Pump Assembly: PVDF (Kynar®)
 Pump Length: 39" (1000 mm) or 47" (1200 mm)
 Hose: 6 ft. (1.8 m), I.D. 1" (25 mm) Goodyear® Viper 16™
 Dispensing Nozzle: 1" (25 mm), PVDF
 Barrel Adapter: Polypropylene
 Storage Bracket: Steel
 Max. flow rate: 17.5 GPM (66 LPM) based on water)
 Max. pressure: 35 ft. (10.6 m)
 Max viscosity: 1500 cps (mPas)
 Max. temperature: 175°F (80°C)

PRICE CODE NO.	VOLTAGE	LENGTH
52-9420	115V	39"
52-9421	240V	
52-9422	115V	47"
52-9423	240V	



Pump Package 4 | Acids & Alkalis Measurement

Engineered to transfer corrosive chemicals associated with the Water Treatment industry. Common applications include: Sodium Hypochlorite, Potassium Hydroxide and Sodium Bromide.

Motor type: ODP-S
 Pump Assembly: Polypropylene
 Pump Length: 39" (1000 mm) or 47" (1200 mm)
 Hose: 6 ft. (1.8 m), I.D. 1" (25 mm) PVC
 Dispensing Nozzle: 1" (25 mm), Polypropylene
 Flow Meter: Digital / Polypropylene totalizer
 Barrel Adapter: Polypropylene
 Storage Bracket: Steel
 Max. flow rate: 13.5 GPM (51 LPM) based on water)
 Max. pressure: 35 ft. (10.6 m)
 Max viscosity: 300 cps (mPas)
 Max. temperature: 130°F (55°C)

PRICE CODE NO.	VOLTAGE	LENGTH
52-9500	115V	39"
52-9501	240V	
52-9502	115V	47"
52-9503	240V	



Pump Package 5 | Concentrated Acids & Alkalis Measurement

Unique design allows operators to safely measure and transfer concentrated and very aggressive liquids. Common applications include: Sulfuric Acid 66 Baumè, Propionic Acid, Concentrated Nitric (98%) and Hydrofluoric Acid.

Motor type: ENC-S
 Pump Assembly: PVDF (Kynar®)
 Pump Length: 39" (1000 mm) or 47" (1200 mm)
 Hose: 6 ft. (1.8 m), I.D. 1" (25 mm) Goodyear® Viper 16™
 Dispensing Nozzle: 1" (25 mm), PVDF
 Flow Meter: Digital / PVDF totalizer
 Barrel Adapter: Polypropylene
 Storage Bracket: Steel
 Max. flow rate: 16 GPM (61 LPM) based on water)
 Max. pressure: 35 ft. (10.6 m)
 Max viscosity: 300 cps (mPas)
 Max. temperature: 175°F (80°C)

PRICE CODE NO.	VOLTAGE	LENGTH
52-9510	115V	39"
52-9511	240V	
52-9512	115V	47"
52-9513	240V	



Pump Package 6 | Mineral Acids

Engineered to transfer mineral acids and suitable chemicals. Applications include: light machining oils, transmission, fluid, etc.

Motor type: ODP-S
 Pump Assembly: SS 316
 Pump Length: 39" (1000 mm) or 47" (1200 mm)
 Hose: 6 ft. (1.8 m), I.D. 1" (25 mm) PVC
 Dispensing Nozzle: 1" (25 mm), SS316
 Barrel Adapter: Stainless Steel
 Storage Bracket: Steel
 Max. flow rate: 22 GPM (83 LPM) based on water)
 Max. pressure: 35 ft. (10.6 m)
 Max viscosity: 1500 cps (mPas)
 Max. temperature: 175°F (80°C)

PRICE CODE NO.	VOLTAGE	LENGTH
52-9414	115V	39"
52-9415	240V	
52-9416	115V	47"
52-9417	240V	



Pump Package 7 | Non-Corrosive Liquids

Engineered to transfer light oils, automotive fluids and lubricants. Applications include: light machining oils, hydraulic fluid, motor oil, antifreeze, lubricating oil.

Motor type: ODP-S
 Pump Assembly: Aluminum
 Pump Length: 39" (1000 mm) or 47" (1200 mm)
 Hose: 6 ft. (1.8 m), I.D. 1" (25 mm) PVC
 Dispensing Nozzle: 1" (25 mm), Aluminum
 Barrel Adapter: Stainless Steel
 Storage Bracket: Steel
 Max. flow rate: 22 GPM (83 LPM) based on water
 Max. pressure: 35 ft. (10.6 m)
 Max viscosity: 1500 cps (mPas)
 Max. temperature: 175°F (80°C)

PRICE CODE NO.	VOLTAGE	LENGTH
52-9460	115V	39"
52-9461	240V	
52-9462	115V	47"
52-9463	240V	



Pump Package 8 | Flammable and Combustible Liquids



Explosion Proof Drum Pump (AIR) is a safe solution for transferring highly flammable/combustible liquids and meets the stringent safety requirements of the Chemical Processing industry. Applications include: Alcohol, Isopropyl Ether, Gasoline, Solvents, Aqueous Ammonia, petroleum Products, Xylene, Toluene.

Motor type: AIR (B)
 Pump Assembly: SS 316
 Pump Length: 39" (1000 mm) or 47" (1200 mm)
 Hose: 6 ft. (1.8 m), I.D. 1" (25 mm) Solvent Hose
 Dispensing Nozzle: 1" (25 mm), SS316
 Barrel Adapter: Stainless Steel
 Storage Bracket: Steel
 Max. flow rate: 30 GPM (114 LPM) based on water
 Max. pressure: 35 ft. (10.6 m)
 Max viscosity: 450 cps (mPas)
 Max. temperature: 175°F (80°C)

PRICE CODE NO.	LENGTH
52-9604	39"
52-9606	47"



Pump Package 9 | Flammable & Combustible Liquids



Engineered to transfer mineral acids and suitable chemicals. Applications include: light machining oils, transmission, fluid, etc.

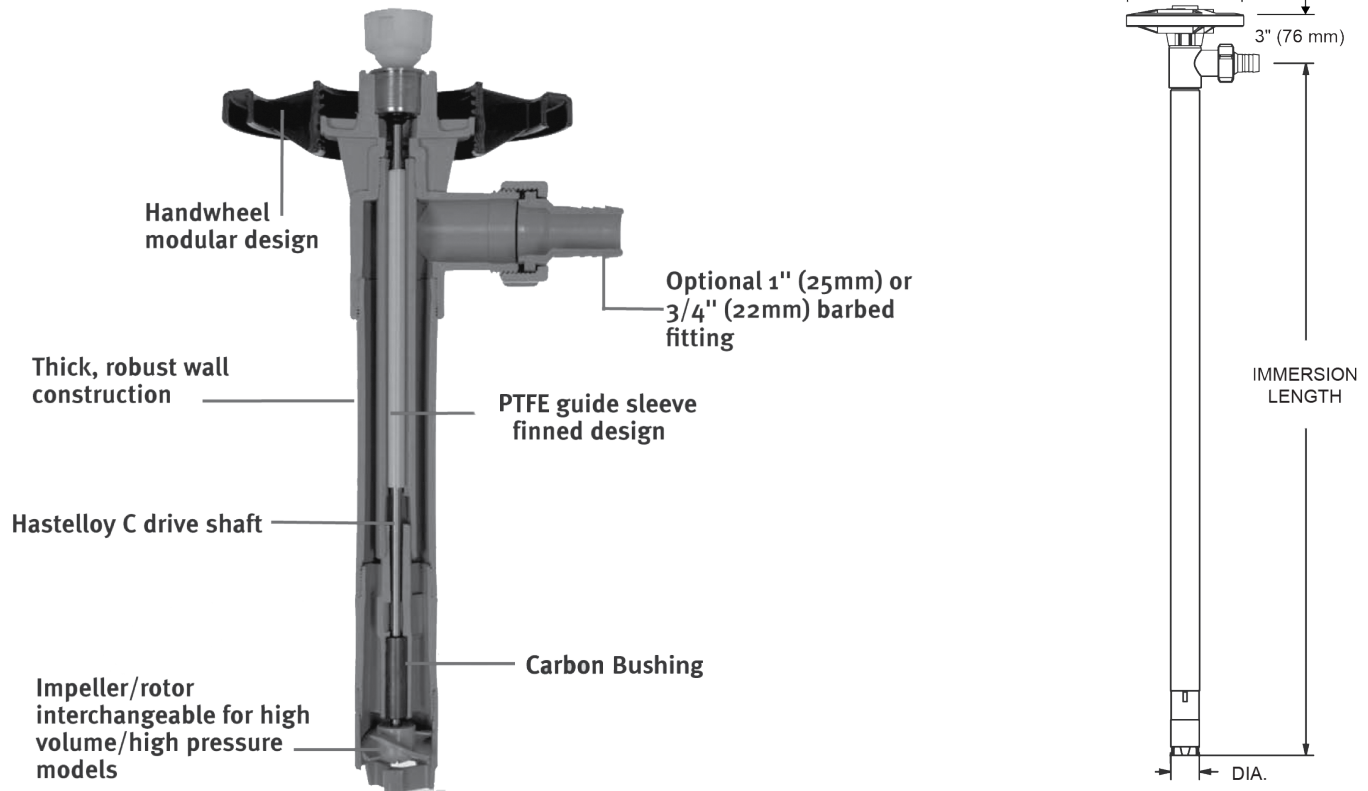
Motor type: EXP (IP 54)
 Pump Assembly: SS 316
 Pump Length: 39" (1000 mm) or 47" (1200 mm)
 Hose: 6 ft. (1.8 m), I.D. 1" (25 mm) Solvent Hose
 Dispensing Nozzle: 1" (25 mm), SS316
 Barrel Adapter: Stainless Steel
 Storage Bracket: Steel
 Max. flow rate: 30 GPM (114 LPM) based on water
 Max. pressure: 35 ft. (10.6 m)
 Max viscosity: 300 cps (mPas) 115V,
 750 cps (mPas) 240 V
 Max. temperature: 175°F (80°C)

PRICE CODE NO.	VOLTAGE	LENGTH
52-9610	115V	39"
52-9611	240V	
52-9612	115V	47"
52-9613	240V	



Pump tubes are designed with threaded joints for easy maintenance and individual component replacement without special tools. Our guide sleeves are PTFE, with a specially extruded fin which secures it inside the inner tube.

We utilize a seal grade carbon for our lower bushing (pure carbon 6038C), the most chemically resistant carbon available. Our shafts are Hastelloy® C-276 (PP, PPP, CK and KY models), or 316 stainless steel (SS models).



Empties a 55 U.S. gallon (200L) drum in less than 2 minutes.

SAFETY PRECAUTIONS

Verify the chemical compatibility of the material of your pump with the liquid you are pumping. Never use a pump that is not chemically compatible with the fluids you are pumping or serious bodily harm, fire or explosion could result.

The high velocity flow of liquid through a pump could create static electricity. All pumps and containers must be properly grounded and bonded to prevent static discharge and sparking, which could cause electric shock, fire or explosion.

A ground wire should be used on any explosion-proof motor as well as the container when transferring explosive material. This warning pertains to electric and pneumatic motors.

Only metallic pumps should be used for transferring flammable or explosive liquids. Do not pump an explosive or flammable liquid with ODP, ENC, or Air (F) motors.

Follow all safety recommendations regarding clothing and goggles, which should be worn when using these pumps.



TO ORDER, use Price Code Number

PP POLYPROPYLENE

APPLICATIONS:

Most chemically aggressive liquids such as acids, salt solutions and solutions which corrode or oxidize metals, such as hydrofluoric or sulfuric acid.

Maximum liquid temperature 130°F (54°C).

⚠ Not for use with flammable liquids.

PUMP MODEL NUMBER*	PRICE CODE NUMBER*	MATERIALS OF CONSTRUCTION	IMMERSION LENGTH	DIA.	FOR HOSE SIZE**
PP8327-1	52-1008	Polypropylene w/Hastelloy® C276, PTFE, carbon	27" (690 mm)	1.61" (41mm)	1" (25mm)
PP8339-1	52-1000		39" (1000 mm)		
PP8347-1	52-1001		47" (1200 mm)		
PP8360-1	52-1003		60" (1525 mm)		
PP8372-1	52-1005		72" (1825 mm)		

CK CPVC / PVDF

APPLICATIONS:

Used for pumping aggressive solutions such as sodium hypochlorite or for higher temperature applications where polypropylene is not suitable.

Maximum liquid temperature 190°F (90°C).

⚠ Not for use with flammable liquids.

PUMP MODEL NUMBER*	PRICE CODE NUMBER*	MATERIALS OF CONSTRUCTION	IMMERSION LENGTH	DIA.	FOR HOSE SIZE**
CK8327-1	52-5200	CPVC and PVDF w/Hastelloy® C276, PTFE, carbon	27" (690 mm)	1.61" (41mm)	1" (25mm)
CK8339-1	52-5201		39" (1000 mm)		
CK8347-1	52-5202		47" (1200 mm)		
CK8360-1	52-5203		60" (1525 mm)		
CK8372-1	52-5204		72" (1825 mm)		

KY PVDF

APPLICATIONS:

Capable of pumping highly aggressive solutions which are not compatible with other thermoplastics.

Maximum liquid temperature 175°F (80°C).

⚠ Not for use with flammable liquids.

PUMP MODEL NUMBER*	PRICE CODE NUMBER*	MATERIALS OF CONSTRUCTION	IMMERSION LENGTH	DIA.	FOR HOSE SIZE**
KY8327-1	52-4004	Natural PVDF w/Hastelloy® C276, PTFE, carbon	27" (690 mm)	1.61" (41mm)	1" (25mm)
KY8339-1	52-4000		39" (1000 mm)		
KY8347-1	52-4001		47" (1200 mm)		
KY8360-1	52-4002		60" (1525 mm)		
KY8372-1	52-4003		72" (1825 mm)		

SS 316 STAINLESS STEEL

APPLICATIONS:

Most solvents and organic acids, as well as salt solutions, nitrous acids, dyes, all alkalies and potable liquids. All components are polished for a quality finish.

Maximum liquid temperature 175°F (80°C).

⚠ Warning: When pumping flammable or combustible liquids pump tube must be used in conjunction with an explosion proof motor.

PUMP MODEL NUMBER*	PRICE CODE NUMBER*	MATERIALS OF CONSTRUCTION	IMMERSION LENGTH	DIA.	FOR HOSE SIZE**
SS8339-1	52-2000	316 stainless steel, PTFE, carbon	39" (1000 mm)	1.65" (42mm)	1" (25mm)
SS8347-1	52-2001		47" (1200 mm)		
SS8360-1	52-2002		60" (1525 mm)		
SS8372-1	52-2003		72" (1825 mm)		

* For high head pump – Add H to Model Number and Price Code No.
** for 3/4" hose connections, consult Sales Department.

All pumps are provided with a 1" stainless steel hose clamp.
Stainless steel models also include bonding and grounding cables.

Registered trademarks:
Viton - DuPont Dow Elastomers; Teflon - DuPont;
Hastelloy - Haynes, International



TO ORDER, use Price Code Number

PPP HIGH TEMP POLYPROPYLENE APPLICATIONS:

Engineered for transferring high temperature corrosive liquids. Robust PPP polypropylene ensures chemical resistance and excellent heat deflection against light and mildly aggressive liquids.

Maximum liquid temperature 175°F (80°C).

⚠ Not for use with flammable liquids.

AL ALUMINUM APPLICATIONS:

For transferring non-corrosive liquids such as machining Lubricants and Light Oils.

Maximum liquid temperature 175°F (80°C).

⚠ Warning: When pumping flammable or combustible liquids pump tube must be used in conjunction with an explosion proof motor.

PUMP MODEL NUMBER	PRICE CODE NUMBER*	MATERIALS OF CONSTRUCTION	IMMERSION LENGTH	DIA.	SHOE HOSE SIZE**
PPP8327-1	52-6000	High temperature Polypropylene	27" (690 mm)	1.61" (41 mm)	1" (25mm)
PPP8339-1	52-6001		39" (1000 mm)		
PPP8347-1	52-6002	w/ Hastelloy	47" (1200 mm)		
PPP8360-1	52-6003	C276, PTFE,	60" (1525 mm)		
PPP8372-1	52-6004	carbon	72" (1825 mm)		

PUMP MODEL NUMBER	PRICE CODE NUMBER*	MATERIALS OF CONSTRUCTION	IMMERSION LENGTH	DIA.	SHOE HOSE SIZE**
AL8327-1	52-7000	Aluminum	27" (690 mm)	1.65" (42 mm)	1" (25mm)
AL8339-1	52-7001	SS316	39" (1000 mm)		
AL8347-1	52-7002	PTFE, Carbon	47" (1200 mm)		
AL8360-1	52-7003		60" (1525 mm)		
AL8372-1	52-7004		72" (1825 mm)		

* For high head pump — Add H to Model Number and Price Code No.
** for 3/4" hose connections. consult Sales Department

SA Sanitary Series

The **Sanitary Series** pump is engineered to transfer low viscosity food products, pharmaceutical materials and personal care solutions from drums, ToteTanks® and kettles. the pumps' wetted surfaces are constructed with FDA compliant materials which provide an ideal solution for sanitary applications.

Note: Pump is constructed of FDA compliant materials; however the system does not have FDA certification.



Maximum viscosity 1,000 cps (mPAS)
Maximum liquid temperature 175° (80°C)



Note: Pump is intended for intermittent use when operating at maximum viscosity

PUMP MODEL NUMBER	PRICE CODE NUMBER*	MATERIALS OF CONSTRUCTION	IMMERSION LENGTH	DIA.	SHOE HOSE SIZE**
SA8339-1	52-8200	316SS	39" (1000 mm)	1.65" (42mm)	1" (25mm)
SA8347-1	52-8201	PTFE Buna	47" (1200 mm)		

* For high head pump — Add H to Model Number and Price Code No.



Variable speed control

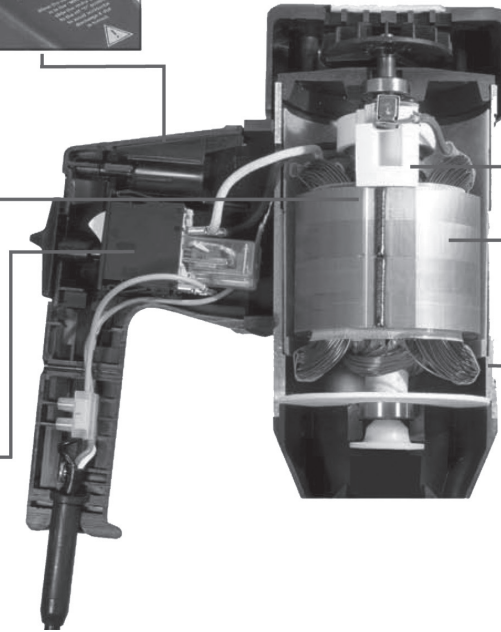


Unique drop-in brush system

Multi certified motors meet stringent North American and European standards



Thermal Overload or Low Voltage Release Switches



Powerful 1.1 hp (825 watt) Double insulated motors
115 / 240V models

Motor housing provides added chemical resistance

TO ORDER, use Price Code Number

ODP-S

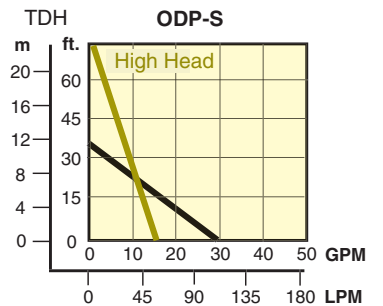


ODP-S OPEN DRIP-PROOF MOTOR w/SPEED CONTROL

1.1 hp (825 watts). drip-proof motor in rugged glass reinforced plastic housing. speed control knob allows for efficient, controlled liquid dispensing. includes 16 ft. cord w/ molded plug. for viscosities up to 1500 cps or specific gravity up to 1.8. weight: 8.8 lbs. (4 kg.)

MODEL NO.	PRICE CODE NO.	MOTOR VOLTAGE
ODP-S-115	52-8000	110-120V/1/50-60
ODP-S-240	52-8001	230-240V/1/50-60

WARNING: NOT SUITABLE FOR PUMPING FLAMMABLE OR COMBUSTIBLE LIQUIDS.



ENC-S



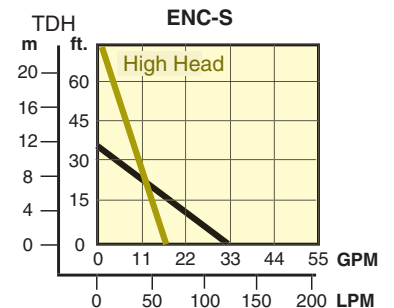
ENC-S SEVERE DUTY TOTALLY ENCLOSED MOTOR

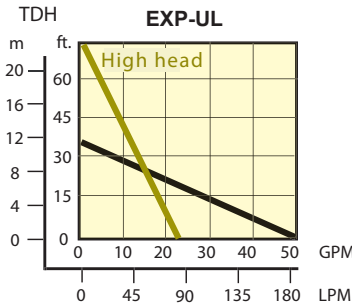
W/SPEED CONTROL

1.1 HP (825 watts). Totally enclosed motor in anodized aluminum housing for extra protection. Speed control knob allows for efficient, controlled liquid dispensing. Includes 16 ft. cord w/ molded plug. For viscosities to 1500 cps or specific gravity up to 1.8. Not

MODEL NO.	PRICE CODE NO.	MOTOR VOLTAGE
ENC-S-115	52-3000	110-120V/1/50-60
ENC-S-240	52-3001	220-240V/1/50-60

WARNING: NOT SUITABLE FOR PUMPING FLAMMABLE OR COMBUSTIBLE LIQUIDS.



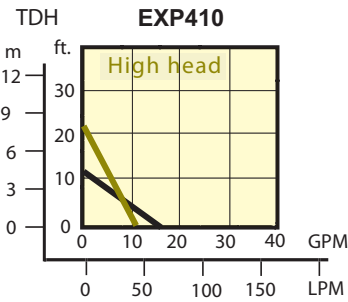


EXP-UL EXPLOSION-PROOF MOTOR

.83 HP (620 watts input/450 watt output). Explosion-proof motor in aluminum housing. C.S.A. and U.L. listed Class I, Groups C and D. Thermal overload protected, automatic reset. Includes 16 ft. cord, no plug. For viscosities up to 750 cps or specific gravity up to 1.8. Includes grounding cable. Weight: 20 lbs. (9.5 kg.)

MODEL NO.	PRICE CODE NO.	MOTOR VOLTAGE
EXP-UL-115	55-0744	120V/1/50-60

See warning at bottom of page.



EXP410 / EX5-420 EXPLOSION PROOF MOTOR

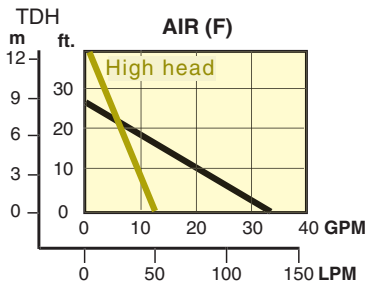
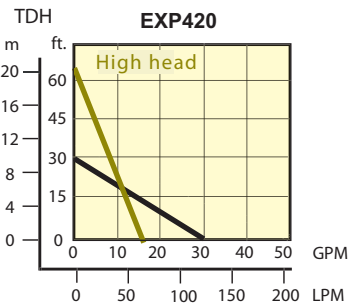
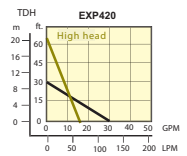
Explosion proof (IP 54) enclosure
Thermal overload protection
12 ft. power cord, no plug
Weight: 17lbs. (7.7 kg.)

EXP 410 .31 HP (230 watts), FIA 2.0, viscosities to 300 cps
EXP 420 .80 HP (600 watts), FLA 2.6, viscosities to 750 cps

MODEL NO.	PRICE CODE NO.	MOTOR VOLTAGE
EXP410	52-3100	110-120V/1/50-60
EXP420	52-3101	220-240/1/50-60

See warning at bottom of page.

EXP410 EXP420



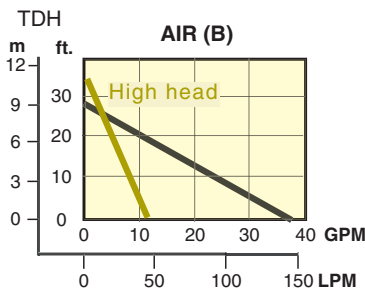
AIR (F) AIR DRIVEN MOTOR

.73 HP (550 watts), 28 cu. ft./min. @ 90 PSI, 10,000 RPM. Aluminum motor housing is plastisol coated to prevent sparking. Includes muffler, filter, and trigger valve for flow control. For viscosities to 750 cps or specific gravity to 1.75. Air line filter, PSI regulator and automatic oiler recommended. Weight: 3.5 lbs. (1.6 kg.)

MODEL NO.	PRICE CODE NO.
AIR (F)	52-0100

See warning at bottom of page.

AIR (F)



AIR (B) AIR DRIVEN MOTOR

.5 HP (370), 22 cu. ft./min. @ 90 PSI, 10,000 RPM. Aluminum motor housing, glass reinforced plastic pump mounting bracket. For viscosities to 450 cps or specific gravity up to 1.6. Muffler included. Weight: 3 lbs. (1.4 kg.)

MODEL NO.	PRICE CODE NO.
AIR (B)	55-0701

See warning at bottom of page.



AIR (B)



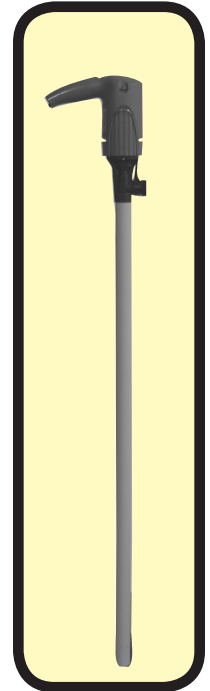
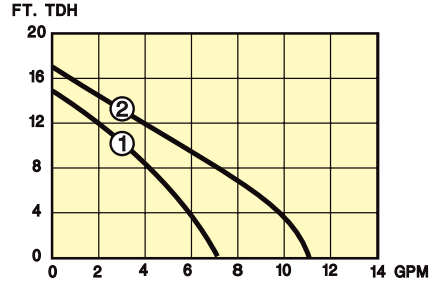
WARNING: Pumping of flammables or combustible liquids can generate a static electric discharge, causing fire or explosion resulting in injury or death. Read and understand operating instructions before starting this unit. Follow all federal, state and local safety codes including NFPA 30 - NFPA77. Prior to connecting to air supply, install bond and ground wires and check continuity of each wire. A meter reading of one ohm or less is required for safe liquid transfer. Use only metallic drum, receiving vessel and metallic pump when pumping flammables. Air motors are not recognized under any current Underwriter's Laboratory listing program. Consult a qualified engineer for suitability for use in a hazardous area or on flammables.



LABORATORY DRUM PUMP

- Ideal for low volume transfer
- Polypropylene
- 27" or 39" length

Versatile, lightweight pump for the transfer of acids or alkalis from glass carboys and similar containers. Pump will handle liquids to 250 cps. Motor is 160 watt with built-in overload and manual reset for safety. Includes 16' cord with molded plug, 6' of 1/2" vinyl hose and polypropylene flow nozzle.



TO ORDER, use Price Code No.

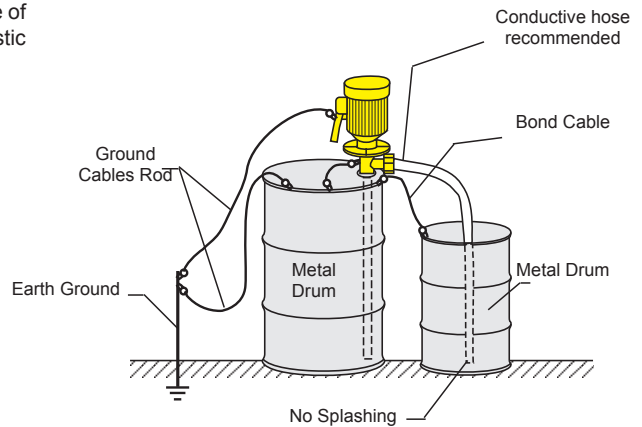
MODEL NO.	PRICE CODE NO.	CURVE	MATERIALS OF CONSTRUCTION	LENGTH	DIA.	HOSE SIZE	MAX. TEMP.	WATT MOTOR	WEIGHT
				inches	inches	inches	°F		Lbs.
PP8327-1-110	55-9000	1	Carbon Viton® Ceramic ETFE Hastelloy®C	27	1	1/2 - 3/4	115	110V/1/50-60	9.5
PP8327-2-110	55-9001	2			1-1/4			110V/1/50-60	
PP8327-2-220	55-9002	2			1-1/4			220V/1/50-60	
PP8339-1-110	55-9003	1		39	1	1/2 - 3/4	115	110V/1/50-60	10
PP8339-1-220	55-9004	1			1			220V/1/50-60	
PP8339-2-110	55-9005	2			1-1/4			110V/1/50-60	
PP8339-2-220	55-9006	2	1-1/4		220V/1/50-60				

ACCESSORIES

GROUND-BOND CABLE KIT

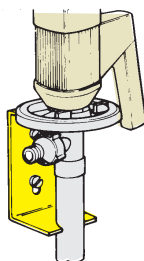
When pumping flammable or combustible liquids from one container to another, both containers must be effectively bonded and grounded to prevent discharge of sparks of static electricity which could cause an explosion. Not for use with plastic pumps or ODP/ENC motors.

DESCRIPTION	PRICE CODE NO.
2 ground cables, 6' long with clamps 1 bond cable, 10' long with clamps 1 ground cable, 1' long with clamp for drum	55-0247



WALL BRACKET - 304 Stainless Steel

A wall bracket is recommended for every pump. Proper storage will increase the life of the unit.



PRICE CODE NO.
55-0265



Increase the functional use of any drum pump

DISCHARGE HOSE		PRICE CODE NO.
Clear PVC	per foot 1" I.D. x 1.25" O.D. (25 mm x 32 mm) 150°F (66°C) / 30 psi (2.1 bar)	55-0274
Clear PVC Nylon reinforced	per foot 1" I.D. x 1.25" O.D. (25 mm x 32 mm) 150°F (66°C) / 75 psi (5.2 bar)	22-0432
Goodyear® FABCHEM™ WHMW - Polyethylene	per foot 1" I.D. x 1.47" O.D. (25 mm x 37 mm) 150°F (60°C) / 200 psi (14 bar) For Flammable / Combustible liquids	52-9034
Goodyear® VIPER 16™ Cross-Linked Polyethylene	per foot 1" I.D. x 1.45" O.D. (25 mm x 36 mm) 250°F (121°C) / 200 psi (14 bar)	52-9044
Stainless Steel Flex Hose	3/4" FNPT x 3/4" MNPT X 8' Long	22-0539-A
Discharge Adapter 316SS	3/4" MNPT	55-6095
PTFE Ribbed Hose	1" I.D. (25 mm) x 8' long	22-0463

HAND NOZZLE

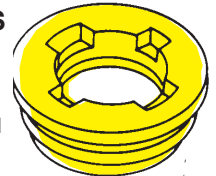
Provides controlled dispensing of liquid without splashing for safe chemical transfer. Ideal for dispensing into small containers, the nozzle features full one inch flow-through for maximum flow and allows hand held squeeze control for corrosive applications. 1" hose barb connection.



	PRICE CODE NO.
Polypropylene / Viton®	52-0017
316SS / PTFE	52-0017S
PVDF / Viton	52-0017K
Aluminum / Buna	52-0017A

BARREL ADAPTERS / FUME BARRIERS

For all pump models. To hold pump in vertical position and avoid exposure of motor to escaping vapors. Snug slip fit over pump tube allows for depth adjustment in drum. Fume barrier utilizes a Viton seal to hold corrosive fumes within the container.

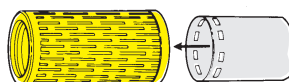


BARREL ADAPTER	PRICE CODE NO.
PP 2" NPT	99-0107-A
PP 2" BUTTRESS THREAD	99-0108-A
316SS 2" NPT	99-0157

FUME BARRIER	PRICE CODE NO.
PP/ EPDM 2" NPT	52-9018
316SS / EPDM 2" NPT	52-9019

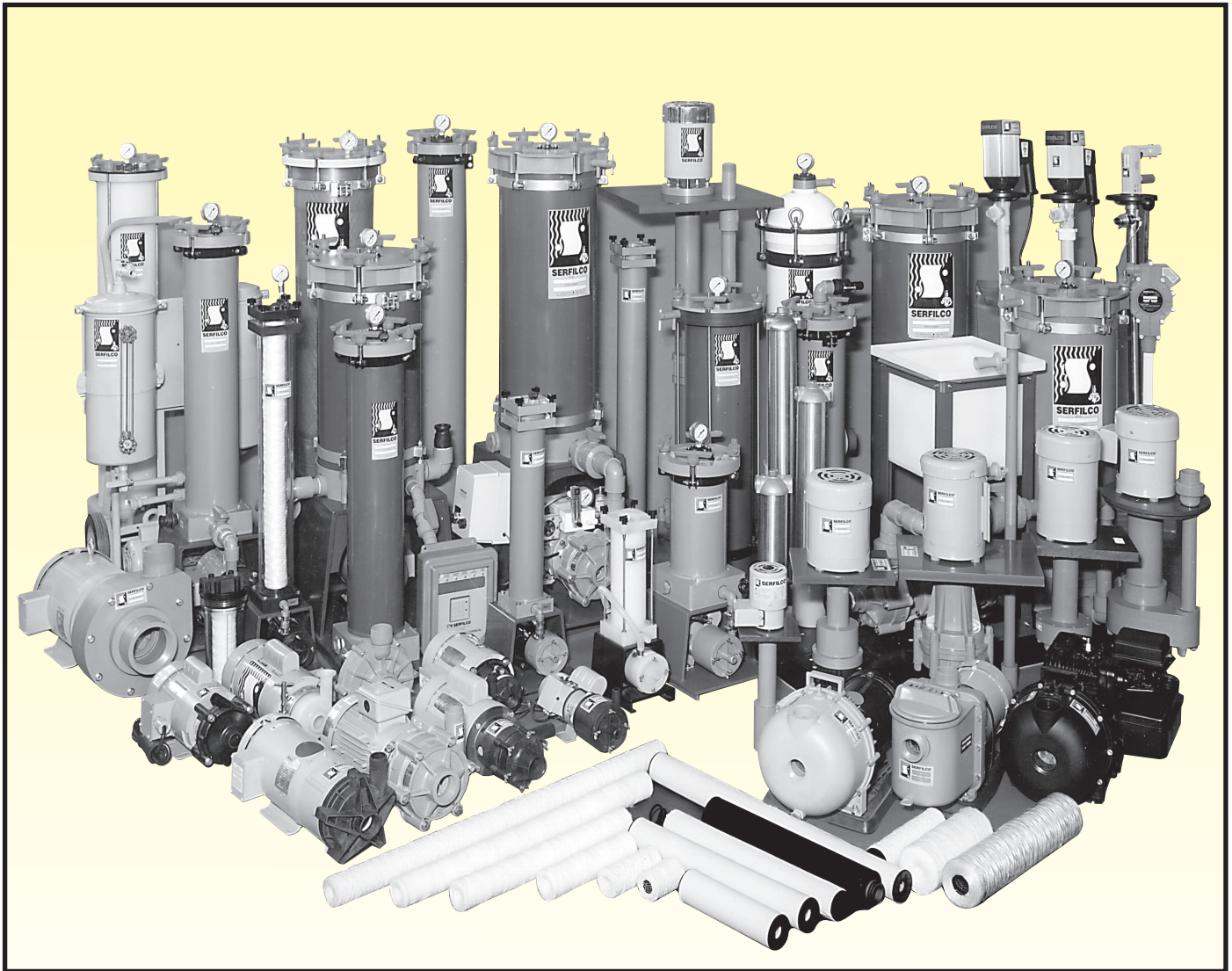
SUCTION STRAINER

Recommended when pumping dirty liquids or where abrasive particles are present.



	PRICE CODE NO.
Polypropylene	55-0282A
316 Stainless Steel	55-0283A
PVDF	55-0284

Also available from SERFILCO:



Your one-stop source for pumping, filtration and purification needs!

SERFILCO can help you realize the economic value of clarification and purification of your process solutions and waste streams. Our wide range of pumps, filters, packaged systems, accessories and related control instruments make it possible for you to take advantage of one-stop shopping for all of your liquid handling needs. With modern filtration technology at work in your facility, you can reduce waste, lower your manufacturing costs, and enhance product integrity.

We've been serving industry worldwide for 50 years. We're ready to serve you, too!